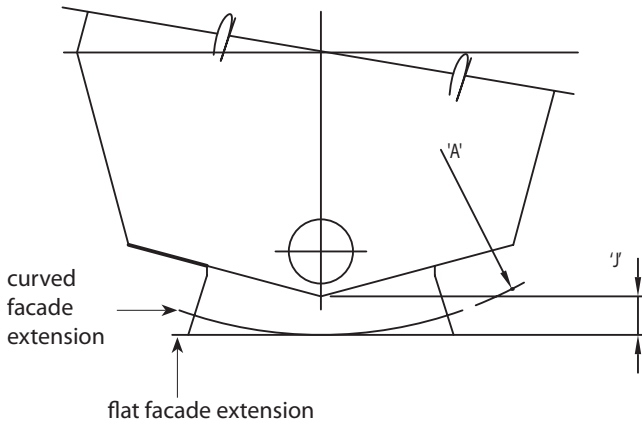


features

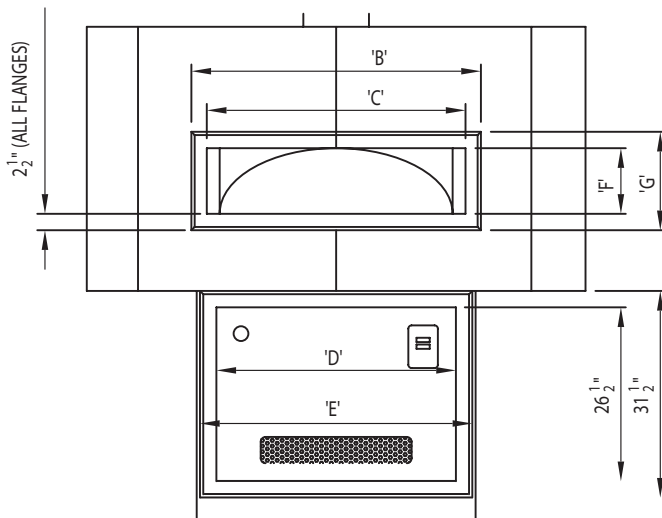
mountain home facade extension dimensions

NOTE: addition of granite increases dimensions F and G by ¾ inches (below the doorway). The curved-face extensions are available in large or small radius styles.

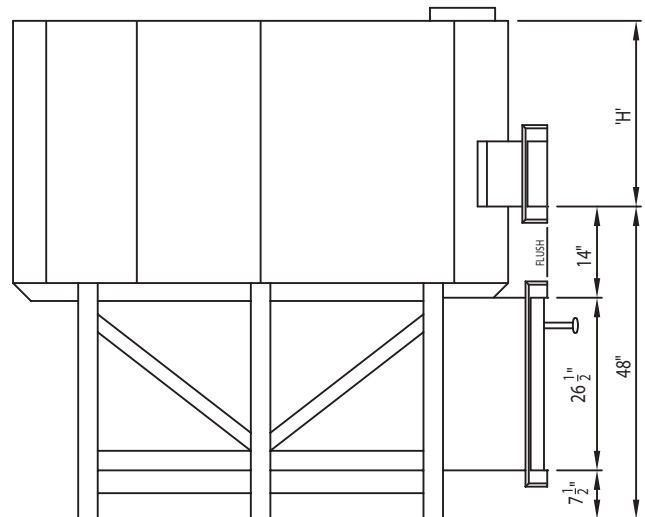
plan view



front view



side view



tools & accessories



mh facade extension

dimensions

job name:

model:

item#:

fuel type:

Note: For more in-depth information on how to facade a Wood Stone Home oven, please visit our website at: woodstonehome.com

	'A'	'B'	'C'	'D'	'E'	'F'	'G'	'H'	'J'
4' CURVED	34 ½"	29"	25"	29"	33 ½"	10"	15"	28 ½"	9 ½"
4' FLAT	N/A	28 ½"	19 1/16"	29"	34"	10"	15"	28 ½"	6"
5' SMALL RADIUS	39"	39 ½"	35"	30 ½"	35"	10"	15"	28 ½"	7"
5' LARGE RADIUS	57"	38"	33"	30 ½"	35 ½"	10"	15"	28 ½"	5 ½"
5' FLAT	N/A	40"	35"	30 ½"	35 ½"	10"	15"	28 ½"	5 ½"

An ongoing program of product improvement may require us to change specifications without notice.

Wood Stone Corporation

1801 W. Bakerview Rd.
Bellingham, WA 98226 U.S.A.

Toll Free (800) 578-6836
Fax (360) 734-0223

woodstonehome.com
info@woodstonehome.com

REVISED
Sep 2012

Wood Stone

FOR THE Home



tools & accessories

mh facade extension options



job name:

model:

item#:

fuel type:

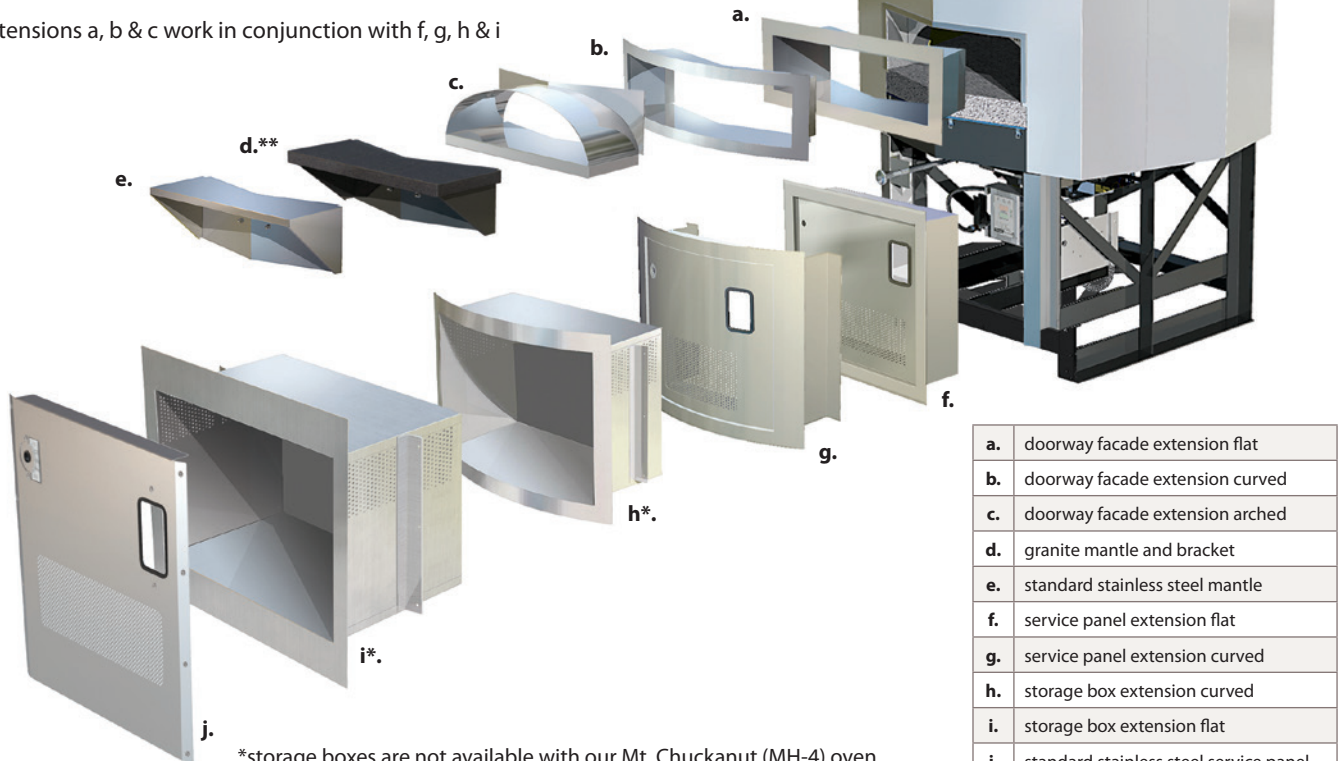
features

mountain home facade extension options

Wood Stone offers a wide range of accessories to help make your final oven installation seamless and attractive. These extensions facilitate smooth and proper connection of the oven to a facade wall. The side walls of the extensions flare out slightly to enhance user accessibility and visibility.

The extensions are constructed of stainless steel and can be ordered with or without a black granite mantle.

Extensions a, b & c work in conjunction with f, g, h & i



a.	doorway facade extension flat
b.	doorway facade extension curved
c.	doorway facade extension arched
d.	granite mantle and bracket
e.	standard stainless steel mantle
f.	service panel extension flat
g.	service panel extension curved
h.	storage box extension curved
i.	storage box extension flat
j.	standard stainless steel service panel

*storage boxes are not available with our Mt. Chuckanut (MH-4) oven

**granite mantle bracket also available with black powder coat finish (shown)

An ongoing program of product improvement may require us to change specifications without notice.

Wood Stone Corporation

1801 W. Bakerview Rd.
Bellingham, WA 98226 U.S.A.

Toll Free (800) 578-6836
Fax (360) 734-0223

woodstonehome.com
info@woodstonehome.com

REVISED
Sep 2012

Wood Stone

FOR THE HOME

